

The Cloak is a high-efficiency linear LED luminaire for lighting building facades and other outdoor decorative lighting applications. Available in 1' - 12' sections, the cloak runs on a proprietary high current off line light engine, allowing through connection up to 9 amps at 120VAC. The Cloak packs a ton of power in a small package, providing up to 12W per foot, 900lm/ft. at 93 CRI. Cloak dims with most lighting control systems via ELV dimming. Cloak also provides a unique asymmetric distribution, providing exceptional uniformity with a crisp cutoff for architectural patterns and designs.



LED ●●●●●●●●●● FEATURES

90 CRI Standard	Custom Optics
IK 10 Rated	Runs Up to 9A
ELV Dim to 5%	IP66 Rated
Custom Orders	Quick Shipping
5 Year LED Warranty	UL

OUTPUT
3 power options:
- 6W per foot,
- 8.4W per foot,
- 12W per foot
Available in 2700k - 5000k.
90 CRI is standard for 2700k-3500k.

HOUSING
Rugged, .125" wall extruded aluminum housing with 160" wall aluminum mounting track. Track is secured with toolless thumb screws or tamper proof screws.

DRIVER
Proprietary ultra high current, onboard micro driver allows direct 120V connection up to 9A per voltage feed.

REFLECTOR
High reflectivity White Optic interior

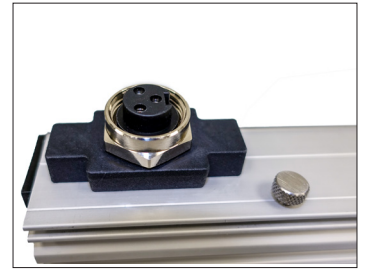
FINISH
Clear Hard anodized aluminum finish is standard.
Available in post powder coat matte white, black steel, gunmetal or Apogee Silver. Other RAL options available, consult factory for cost adder.

OPTICS
Unique & custom asymmetric optics tailored for facade lighting applications

WIRING OPTIONS
18" linking cable is standard. Custom length linking cables are available, consult factory
Standard feed cable available in 10', 20' and 50' leads.

CERTIFICATIONS
UL listed
IP66 rated
IK10 Rated
IBEW Union Made in the USA

CONNECTORS & DETAILS



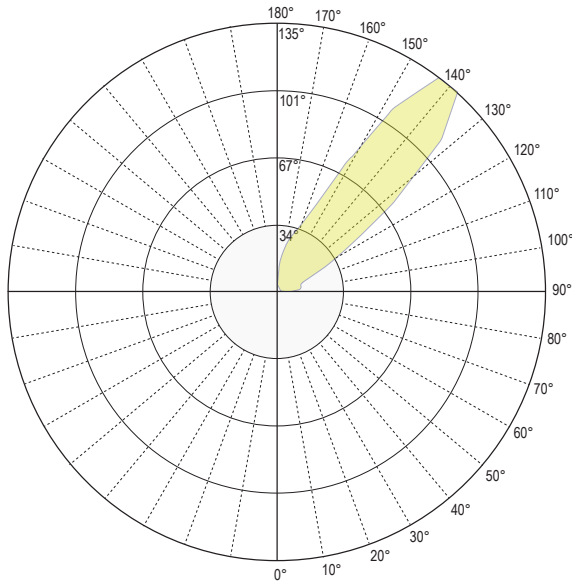
ORDERING INFORMATION

CL	---	---	---	---	---	---	UHC
SERIES CL - Cloak	OUTPUT 6 - 6W per foot 8 - 8.4W per foot 12 - 12W per foot	COLOR 27 - 2700K 30 - 3000K 35 - 3500K 40 - 4000K 50 - 5000K	WIRING 10 - 10' 20 - 20' 50 - 50'	LINKING WIRING ST - 18" Custom length linking cables are available. Consult factory.	LENGTH 1 - 1' 2 - 2' 4 - 4' 6 - 6' 8 - 8' 12 - 12'	FINISH CHA - Clear Hard anodized aluminum finish (standard). PP - Post powder coat matte white BS - black steel GM - gunmetal AS - Apogee Silver Other RAL options consult factory for cost adder	DIMMING & CONTROL UHC - Proprietary ultra high current, onboard micro driver

Sample Number: CL-8-30-20-ST-8-GM-UHC

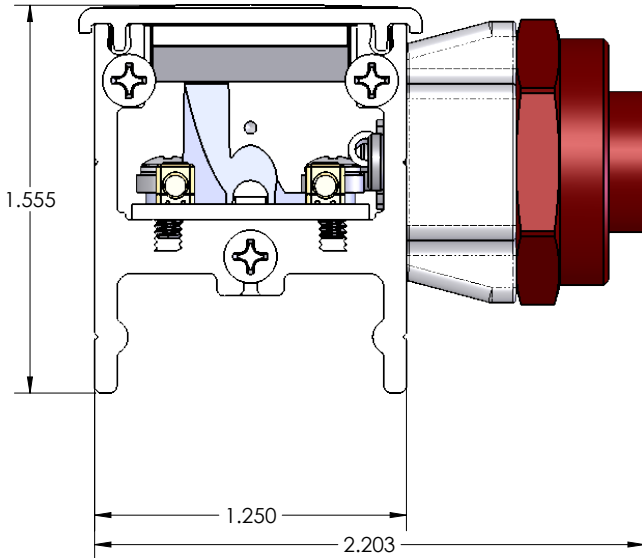


PHOTOMETRICS



TECHNICAL DRAWINGS

The Cloak



With 160" wall aluminum mounting track

